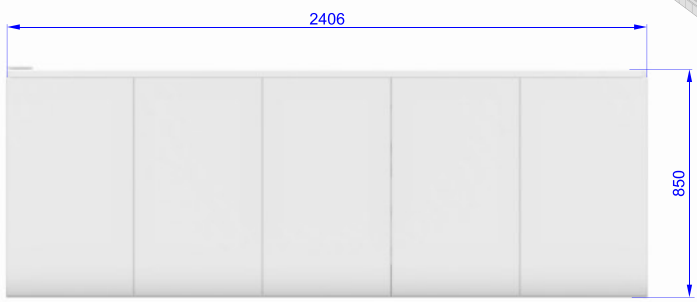
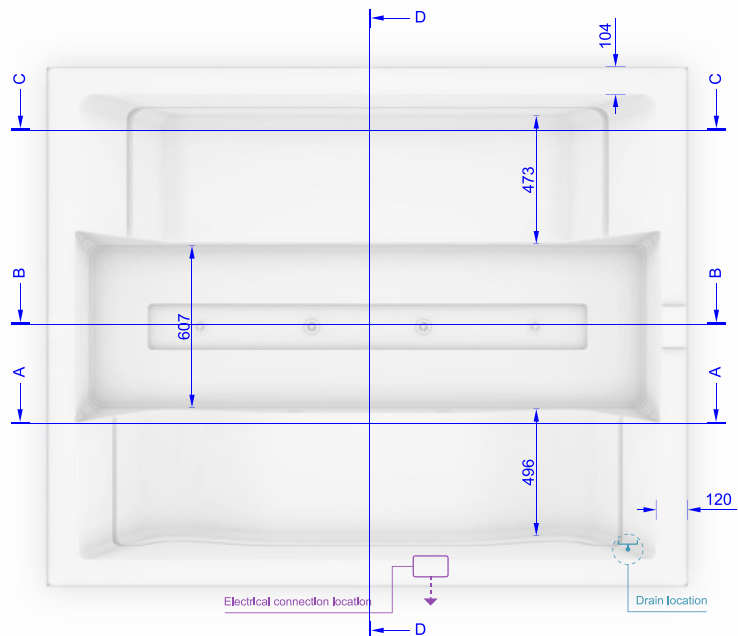
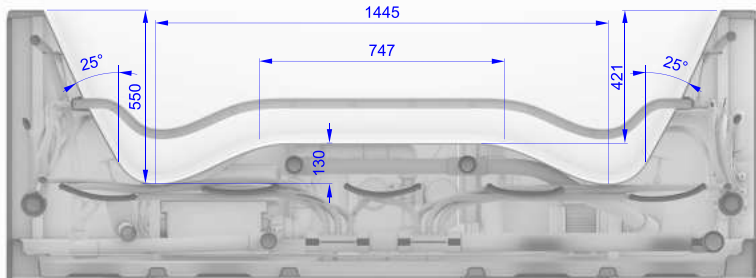


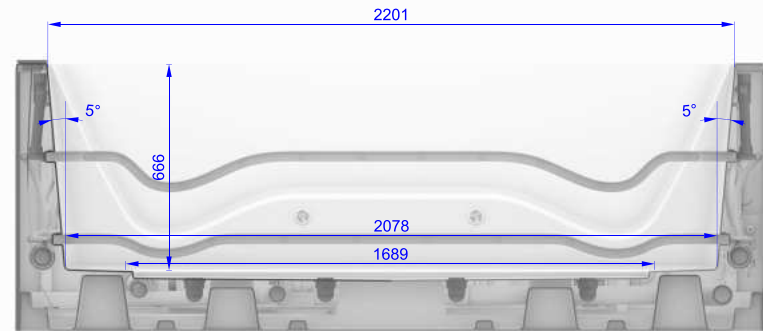
- Fill/ Drain location
- Electrical connection location



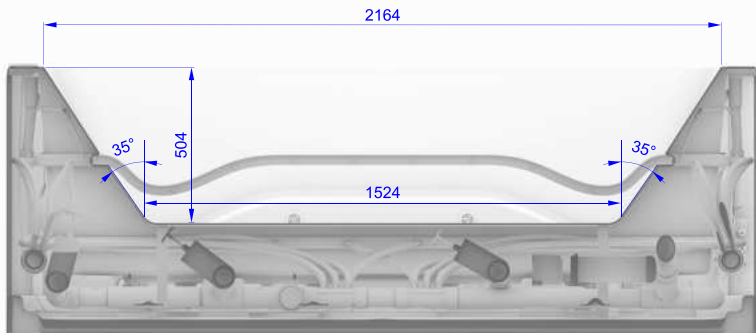
DRAWN	2024-09-16	aquatica®			
...		VIBE Spa With Composite Siding			
QA					
...		SIZE	DWG NO	REV	00
		-			
		SCALE		SHEET 1 OF 2	



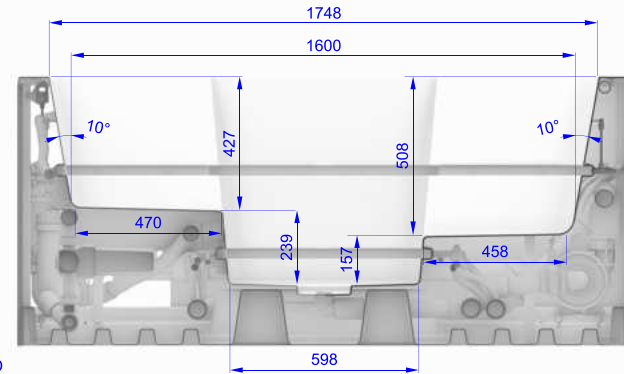
Section AA



Section BB



Section CC



Section DD



DRAWN	2024-09-16	aquatica®		
...				
QA		VIBE Spa With Composite Siding		
...				
		SIZE	DWG NO	REV
		-		00
		SCALE		SHEET 2 OF 2